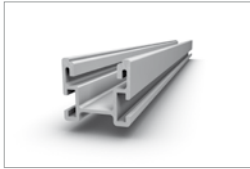
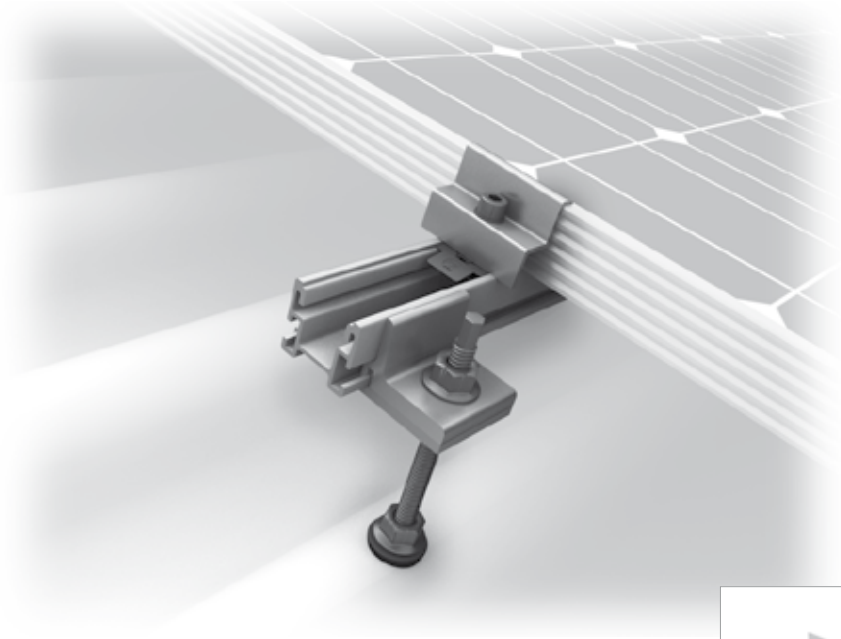


Mounting systems for solar technology



K2 SYSTEMS
SLOPED ROOF SYSTEMS
HANGER BOLT CR

HANGER BOLT CR SYSTEM

- For roofs with corrugated fibre cement roofing
- Pre-assembled with adapter plate for time-saving assembly
- Easy connection by K2 Climber and K2 CrossRail family
- Screw head with hexagon drive allows for assembly with electric screwdriver
- Extra-long metric thread for height adjustment
- All components made of high-quality stainless steel and aluminium, sealing element made of high quality EPDM

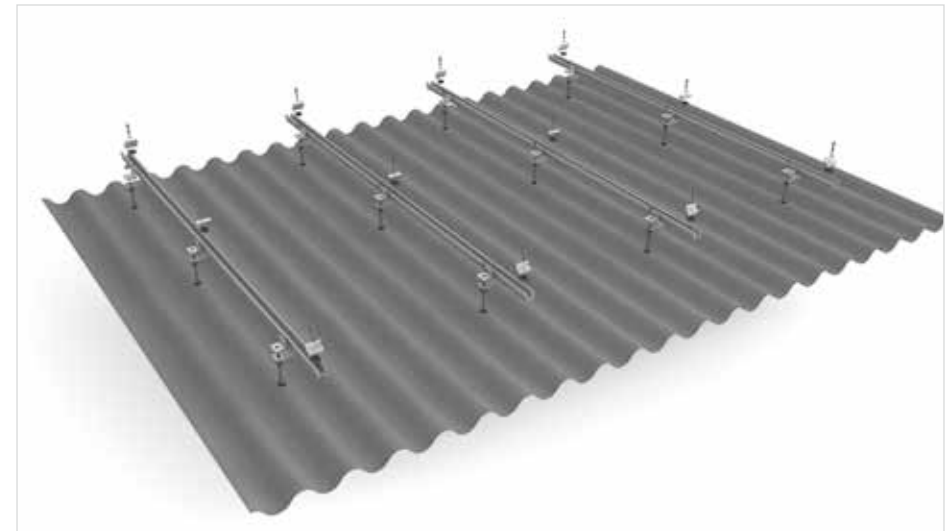


Detail illustration - Hanger bolt CR System

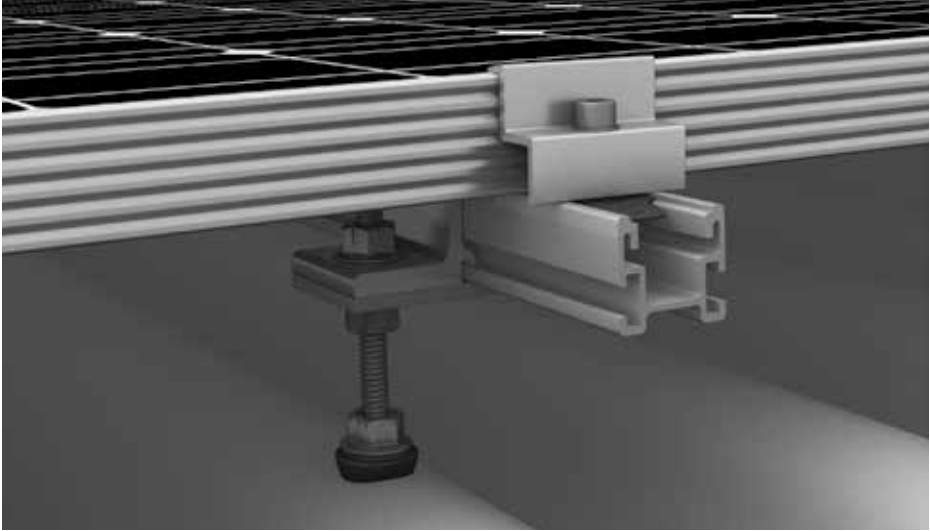
Technical data



Field of application	Sloped roof
Roofing	Corrugated fibre cement with timber sub-structure
PV modules	Suitable for all standard module types
Module orientation	Vertical / horizontal (with cross bracing)
Material	Aluminium (EN AW-6063 T66)
Connecting elements	Stainless steel screws A2-70, sealing made from EPDM
Roof connection	Screw connection
Static principles	Determination of load capacity values by independent testing institutes, load assumption in accordance with DIN 1055 / Eurocode 1
System components	Hanger bolt, CrossRail range, mid and end clamp sets, K2 Climber



System Explosion drawing



Detail illustration - Hanger bolt CR System

SERVICE-HOTLINE
+49 (0)7152 3560-0
www.k2-systems.com

Product Sheet Hanger Bolt CR | GB1 | 1012 | Subject to change
Product illustrations are exemplary illustrations and may differ from the original.

